

Electric Height-adjustable Desks

(frame only)



Unique Motor
Powerful and silent



Power Input
100V-240V



Max. Speed
38 mm/s



Motion Noise
<50dB



Overload Protection



Operation Temperature
-5°C~+40°C



Thermal Protection



IP Grade
IP20

EDF03T Triple-motor Sit-Stand Desk Frame

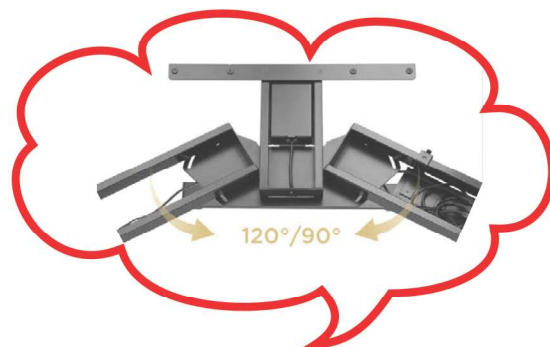
- Unique design: L-shape (90°) or Y-shape (120°)
- Telescopic frames to suit tops of different width & depth
- 3-stage legs for larger height adjustment range (62-128cm)
- Triple fast & quiet electric motors for easy & smooth adjustment
- Touch-sensitive controller w/ 3-memory settings and alert timer



L-shape (90°) Standing Workstations



Y-shape (120°) Standing Workstations



Flexibility to Change Shape

EDF03T Specifications

Height range: 62-128cm / 24.4"-50.4"

Width range: 2x (100-170cm / 39.4"-66.9")

Supported desktop depth: 65-100cm

Max. load: 150Kg / 330 lbs

Column configuration: 3x (3-stage column)

Motor quantity: 3

Motor speed: up to 38mm/s

Motor noise: < 50db

Available Colours

