

GDF12-series Gas Spring Sit-Stand Desk Frame



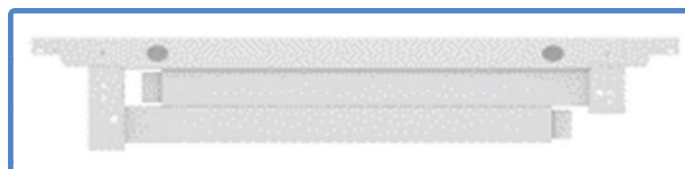
White GDF12W



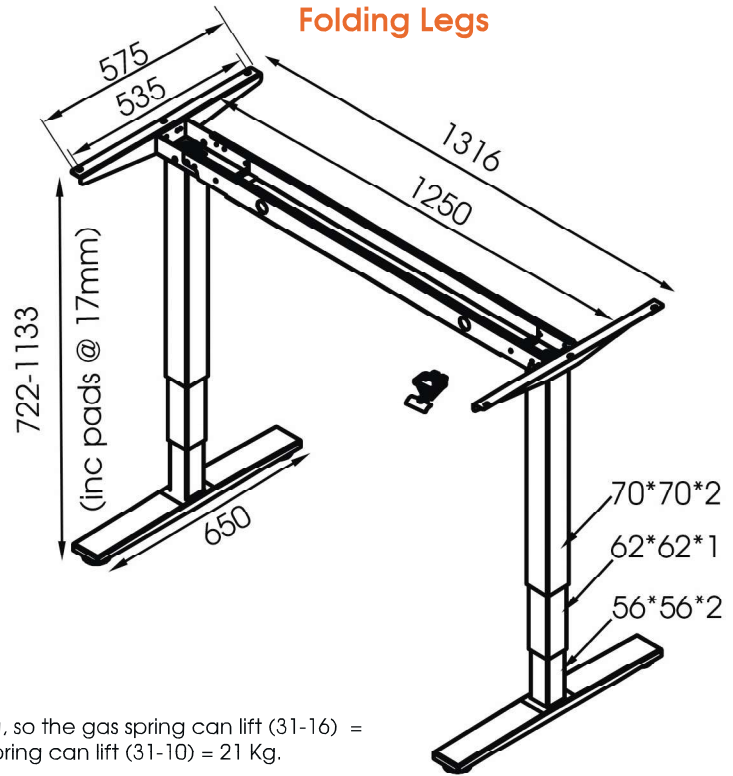
Black GDF12B

Gas powered desks are quicker to adjust than cranking desks, and cheaper than electric desks, offering you the best of both worlds.

- Folding legs - quicker to install, move and store.
- Mechanically linked legs to guarantee synchronized height adjustment.
- Pneumatic mechanism lifts up to 15 Kg load (assuming the top weights 16 Kg, see *note).
- No electricity required, stay healthy and save the planet in one go.



Folding Legs



GDF12 Specifications

- Height Range: 72-113 cm
- Max. Load : 50 Kg
- Base length : 1316 mm
- Feet length : 650 mm
- Lifting Force : 15 Kg (*note)
- Supported Desktops
 - Width : 140-160cm
 - Depth : 60-80cm
- Packaging : 126x40x16 cm

* note: The actual gas lifting force is 31 Kg, assuming the top weights 16 Kg, so the gas spring can lift (31-16) = 15 kg load on the top. If the top only weights 10 Kg, then the gas spring can lift (31-10) = 21 Kg.