

# LRA30-series Long Reach Arm for LCD Monitors/TVs

Featuring pneumatic gas spring for easy and smooth movement, the LRA30-series long reach arm is ideal for care homes, hospital wards, dental practices and other workplaces where the screen need to be floated far away from the wall.



## Key Features

- Extends up to 1.75m/69" if screen facing wall or 1.85m/73" otherwise.
- Compatible with most 15"-32" LCD monitors/TVs (\*see notes).
- Pneumatic gas spring arm with handle, easily adjust screen position and orientation with bare hand.
- Aluminum arm, sturdy and light-weight construction.
- Cable management keeps cables hidden.



**Rotate & Tilt**  
Landscape/Portrait View



**Folding Arm**  
Secure & space-saving



**Cable Management**  
Clean and tidy

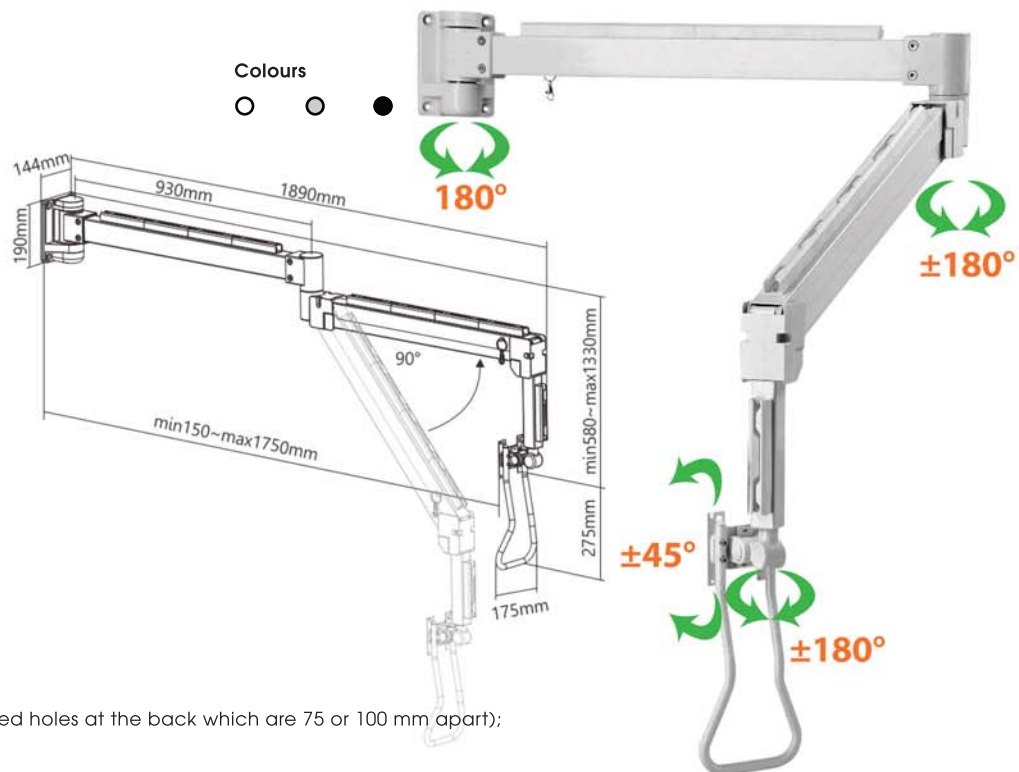


**Swivel ±180°**  
Facing the carer or the patient

## Specifications

<b>Arm Length</b>	189cm
<b>Max Reach</b>	175cm or 185cm
<b>Supported Weight</b>	2-8 kg / 4.4-17.6 lbs
<b>VESA Compatibility</b>	100x100; 75x75
<b>Tilt Range</b>	±45°
<b>Swivel Range</b>	±180°
<b>Screen Rotation</b>	±180° (landscape, portrait)
<b>Material</b>	Steel, Aluminum, Plastic
<b>Surface Finish</b>	Powder Coating
<b>Available Colours</b>	White, Silver, Black

### Colours



### \*Notes

- Compatible screens must
1. weight between 2 and 8 kg (without stand); and
  2. be VESA 75 or 100 compatible (with 4 threaded holes at the back which are 75 or 100 mm apart);